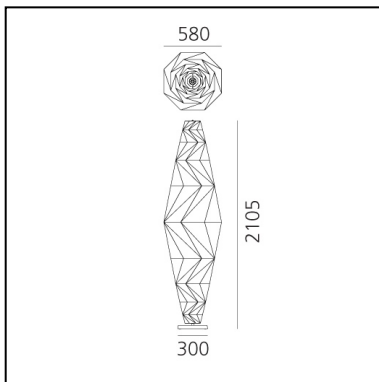


Minomushi Floor

Issey Miyake



IP20  



LUMINAIRE

- Watt: **28W**
- Delivered lumen output: **2527lm**
- CCT: **3000K**
- Efficiency: **87%**
- Efficacy: **90.25lm/W**
- CRI: **90**

DESCRIPTION

"IN-EI" - Japanese for "shadow, shadiness, nuance". The art of lighting has a conceptual and technological heritage at the Miyake Design Studio, dating back to 2010, when Issey Miyake and his research and development team called Reality Lab., presented 132 5. ISSEY MIYAKE. This new process was developed using a mathematical program with 3-D geometric principals by Jun Mitani. 132 5. ISSEY MIYAKE is an extremely ingenious way by which to make clothing, and a process that provides yet another example of directions the quest for innovative textiles technologies can take. The project comes from the intersection of creativity and mathematics, resulting in clothing that can be folded flat and become 3D shapes, starting from a single piece of cloth. As the Reality Lab. explored 132 5. ISSEY MIYAKE's potential in areas beyond clothing, a natural extension of the process was lighting products. IN-EI ISSEY MIYAKE was born from a collaboration with Artemide marrying their lighting expertise with the Lab.'s innovative approach to the material and design. The IN-EI ISSEY MIYAKE lighting collection was co-developed and manufactured by Artemide. It is a collection of free-standing, table and hanging lights. Each lampshade is created using 2 or 3D mathematic principals, where light and shade harmoniously alternate. Miyake's unique folding technology creates both statuesque forms as well as sufficient solidity. The structure of the recycled material, together with an additional surface treatment allows these shades to perfectly keep their shape without the need for internal frame, and to be re-shaped when needed. They can be easily stored flat when not in use.

FEATURES

- Product Code: **1698010A**
- Colour: **White**
- Installation: **SuspensionFloor**
- Material: **PET, methacrylate, steel, polycarbonate**
- Series: **Design Collection**
- design by: **Issey Miyake**

DIMENSIONS

- Width: **580 mm**
- Height: **2100 mm**
- Base Length: **300 mm**
- Base Width: **300 mm**
- Impact Resistance: **N/D**
- Glow Wire Test: **650°C**

SOURCES INCLUDED

- Category: **Led**
- Number: **1**
- Watt: **28W**
- Delivered lumen output: **1743lm**
- Color temperature (K): **3000K**
- Efficacy: **58lm/W**