

Nur Acoustic - White

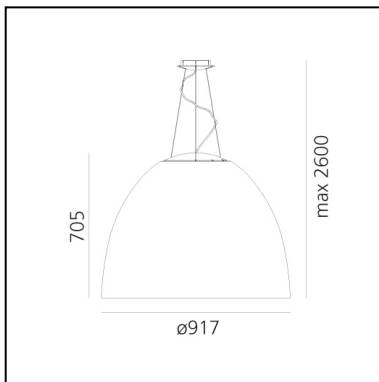
Ernesto Gismondi



DESCRIPTION

The bestselling appliance Nur, an iconic product from the Artemide collection, is restyled in a new acoustic version. The bell-shaped body is designed to mark the boundaries through light, as well as with ambient sound control. The special material absorbs sound waves and reduces their reverberation time, the body's geometry enhances the material's properties by trapping and absorbing sound within. The selected colours, matched with a white inner surface, valorize light. Perfect environmental quality is thus obtained.

IP20   Dimmerable: 



FEATURES

- Product Code: **A243720**
- Colour: **White**
- Installation: **Suspension**
- Material: **PET, methacrylate, glass**
- Series: **Design Collection**
- Environment: **Indoor**
- design by: **Ernesto Gismondi**

DIMENSIONS

- Height: **705 mm**
- Diameter: **917 mm**
- Max Height from ceiling: **2600 mm**
- Glow Wire Test: **650°**

SOURCES INCLUDED

- Category: **Led**
- Number: **1**
- Watt: **75W**
- Delivered lumen output: **9112**
- Color temperature (K): **3000K**
- CRI: **90**
- Color Tolerance: **MacAdam 2SDCM**
- Efficacy: **122lm/W**
- Service Life: **50000-L70**

LUMINAIRE

- Watt: **80W**
- Voltage: **220-240V**
- Delivered lumen output: **6151lm**
- CCT: **3000K**
- Efficiency: **68%**
- Efficacy: **76.89lm/W**
- CRI: **90**
- Dimmable Typology: **Push**