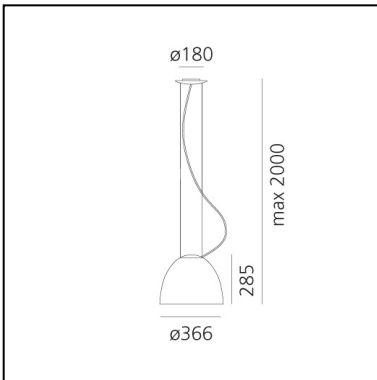


Nur Mini Gloss - Suspension - White

Ernesto Gismondi



IP20       Dimmerable: +0-



LUMINAIRE *

- Watt: **21W**
- Voltage: **220V-240V**
- Delivered lumen output: **1013lm**
- Efficiency: **41%**
- Efficacy: **48.24lm/W**
- CRI: **80**

* Photometric data may vary depending on the source installed.
Light measurements are provided in relative form and technical lighting calculations may be updated according to the effective source used.

Notes

All the versions are encased in a diffuser at the bottom.

DESCRIPTION

An extreme geometric synthesis of optics par excellence, Nur manifests its presence through a monolithic and mono-material body. The essential and geometrically calibrated lines of a perfect parabola conceal an optical heart that perfectly controls the emission, without offending direct vision. It ensures general ambient lighting thanks also to indirect emission. Artemide App Compatible.

FEATURES

- Product Code: **A244900**
- Colour: **White**
- Installation: **Suspension**
- Material: **Aluminium, polycarbonate, glass**
- Series: **Design Collection**
- Environment: **Indoor**
- Area contract: **Hospitality, Residential**
- Emission: **Direct/indirect**
- design by: **Ernesto Gismondi**

DIMENSIONS

- Height: **285 mm**
- Diameter: **360 mm**
- Base Diameter: **180 mm**
- Max Height from ceiling: **2000 mm**
- Impact Resistance: **N/D**
- Glow Wire Test: **850°**

SOURCES NOT INCLUDED

- Category: **LED RETROFIT**
- Number: **1**
- Watt: **21W**
- Socket: **E27**