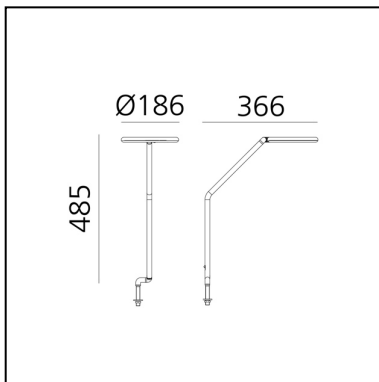


# Vine Light - Table fixed

BIG - Bjarke Ingels Group



## LUMINAIRE

- Watt: **8W**
- Delivered lumen output: **602lm**
- CCT: **3000K**
- Efficiency: **78%**
- Efficacy: **75.29lm/W**
- CRI: **90**

## DESCRIPTION

Vine Light is a pure and balanced line that reaches great freedom of movement with only two joints, leaving users free to define their own light with a simple gesture.

An unbroken section, measuring only 16 mm for the small versions and 25 mm for the big ones (floor, wall), shapes the structure and houses all the opto-electronic and mechanical elements.

Its minimalist presence creates a perfect balance among different materials, weights, light quality, precision of movement and functionality.

Vine Light translates technological complexity into simplicity and freedom. It represents a synthesis in which the apparent simplicity is the result of a deep know-how and innovative research.

## FEATURES

- Product Code: **1565030A**
- Colour: **Black**
- Installation: **Table**
- Series: **Design Collection**
- design by: **BIG - Bjarke Ingels Group**

## DIMENSIONS

- Length: **366 mm**
- Height: **485 mm**
- Base Diameter: **93 mm**