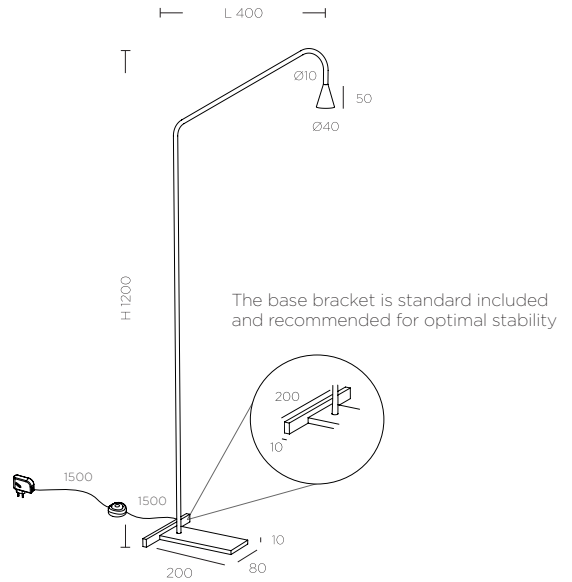




**AUSTERE-Floor**  
Design by Hans Verstuyft



**Material**

brass

**Materiaal**

messing

**Matériau**

laiton



**Finish**

black - brass - white - gunmetal

**Afwerking**

zwart - messing - wit - gunmetal

**Finition**

noir - laiton - blanc - canon de fusil

**Lightsource**

1 x LED array (included) 6,2W  
warm white : 2700K - 600lm - CRI >93

**Lichtbron**

1 x LED array (inclusief) 6,2W  
warm wit : 2700K - 600lm - CRI >93

**Source lumineuse**

1 x LED array (inclus) 6,2W  
blanc chaud : 2700K - 600lm - CRI >93

**Connection**

230V - driver on plug

**Aansluiting**

230V - voeding op kabel

**Connexion**

230V - convertisseur sur le câble

**Specifications**

indoor  
floor  
class II  
IP40

**Specificaties**

binnen  
vloer  
klasse II  
IP40

**Spécifications**

intérieur  
sol  
classe II  
IP40

As time passes by, it is possible that the brass finish may evolve over time, influenced by conditions of humidity, the weather or frequent handling. To help preserving its original appearance, it is recommended to only use a soft dry cloth for daily cleaning. For occasional and intensive cleaning, use a detergent specifically for brass. Please, do not use any aggressive cleaning detergents or solvents containing strong chemicals, as this will damage the brass surface permanently.