



Khoi Recessed

Nahtrang Studio

Pendant Khoi Recessed LED 22.7 LED warm-white 3000K ON-OFF Cement grey 907lm

Technical features

Luminaire total power: 22.7W

Real lumens: 907

Real lm/W: 40

Correlated Colour Temperature (CCT): LED warm-white 3000K

Lens / reflector angle: FLOOD 75°

Structure material: Aluminium

Structure finish: Cement grey

Diffuser material: Glass

Diffuser finish: Fumé

Voltage / frequency: 220-240V/50-60Hz

Dimming protocol: ON-OFF

Power Factor: 0.90

Useful life: 50,000h L70B30

Warranty: 5 años

Easily recyclable luminaire



Luminotechnic features

CRI: 80

MacAdam steps: 2

Photobiological risk: RG1

Lampholder	Quantity	Light source power (W)	Correlated Colour Temperature (CCT)
LED	1	19.5W	LED warm-white 3000K

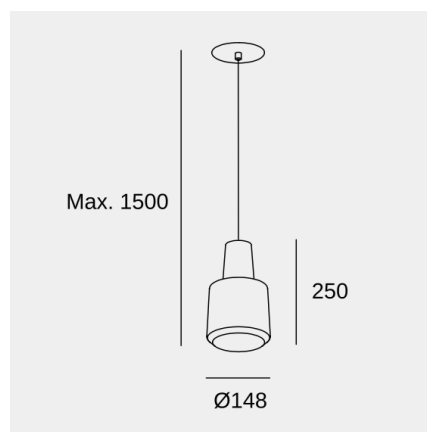
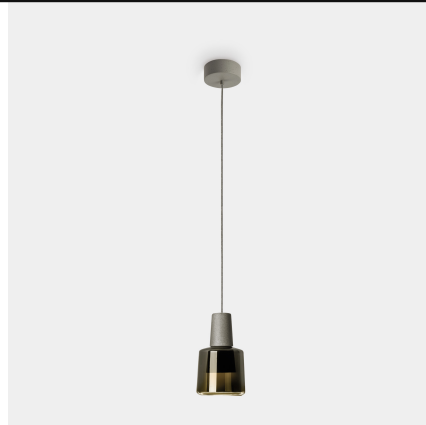


Image may not match reference. LedsC4 reserves the right to amend any of the product's components. The data related to flux, power and colour temperature may be subject to changes made by the manufacturer.



Khoi Recessed

Nahtrang Studio

Pendant Khoi Recessed LED 22.7 LED warm-white 3000K ON-OFF Cement grey 907lm

Logistics



x 6

Net weight (kg): 2.19

Packaged weight (kg): 3.29

Packaging: 230mm x 230mm x
330mm

Light application



Image may not match reference. LedsC4 reserves the right to amend any of the product's components. The data related to flux, power and colour temperature may be subject to changes made by the manufacturer.