



Vetro

Francesc Vilaró

Bath IP44 Vetro LED 22.4 LED warm-white 3000K ON-OFF White 1240lm

Technical features

- Luminaire total power: 22.4W
- Real lumens: 1240
- Real lm/W: 55
- Correlated Colour Temperature (CCT): LED warm-white 3000K
- Lens / reflector angle: HORIZONTAL 156°
- UGR: <=22
- Structure material: Steel
- Structure finish: White
- Diffuser material: Glass
- Diffuser finish: White
- Driver Brand: HEP
- Voltage / frequency: 220-240V/50-60Hz
- Dimming protocol: ON-OFF
- Power Factor: 0.90
- Useful life: 50,000h L80B20
- Warranty: 5 años
- Easily recyclable luminaire



Luminotechnic features

- CRI: 80
- MacAdam steps: 5
- Photobiological risk: RGO
- UGR crosswise: 21.5
- UGR lengthwise: 21.5

Lampholder	Quantity	Light source power (W)	Correlated Colour Temperature (CCT)
LED	1	19.4W	LED warm-white 3000K

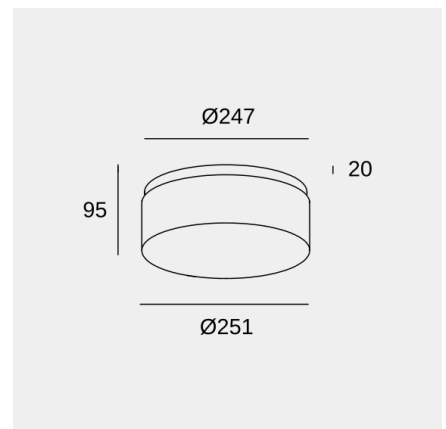


Image may not match reference. LedsC4 reserves the right to amend any of the product's components. The data related to flux, power and colour temperature may be subject to changes made by the manufacturer.



Vetro

Francesc Vilaró

Bath IP44 Vetro LED 22.4 LED warm-white 3000K ON-OFF White 1240lm

Logistics



x 2

Net weight (kg): 4.01

Packaged weight (kg): 4.98

Packaging: 340mm x 340mm x
180mm

Image may not match reference. LedsC4 reserves the right to amend any of the product's components. The data related to flux, power and colour temperature may be subject to changes made by the manufacturer.