



## Trip Double ø300mm / ø300mm

Nahtrang Studio

Wall fixture Trip Double ø300mm / ø300mm E14 18 White 414lm

### Technical features

- Luminaire total power: 18W
- Lens / reflector angle: HORIZONTAL 125°
- Structure material: Aluminium, Steel
- Structure finish: White
- Diffuser material: Glass
- Diffuser finish: Opal
- Max. size of light bulb: 90/50 mm
- Recommended light bulb: E14
- Voltage / frequency: 100-240V/50-60Hz
- Warranty: 5 years
- Easily recyclable luminaire



### Luminotechnic features

Lampholder	Quantity	Light source power (W)	Correlated Colour Temperature (CCT)
E14	2	Max. power 9W	-

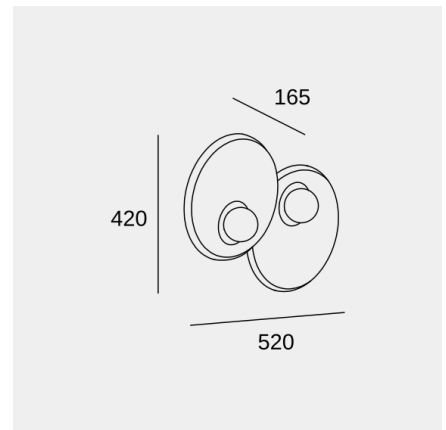


Image may not match reference. LedsC4 reserves the right to amend any of the product's components. The data related to flux, power and colour temperature may be subject to changes made by the manufacturer.



## Trip Double $\varnothing$ 300mm / $\varnothing$ 300mm

Nahtrang Studio

Wall fixture Trip Double  $\varnothing$ 300mm /  $\varnothing$ 300mm E14 18 White 414lm

### Logistics



x 1

Net weight (kg): 0.88

Packaged weight (kg): 2.45

Packaging: 360mm x 370mm x  
180mm

Image may not match reference. LedsC4 reserves the right to amend any of the product's components. The data related to flux, power and colour temperature may be subject to changes made by the manufacturer.