



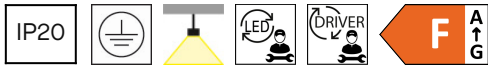
Prolix

Nahtrang Studio

Surface-mounted wall light Prolix LED 18.8W 2700K PHASE CUT Matte gold 358lm

Technical features

- Luminaire total power: 18.8W
- Real lumens: 358
- Real lm/W: 19
- Correlated Colour Temperature (CCT): 2700K
- Lens / reflector angle: FLOOD 72°
- UGR: <=22
- Structure material: Aluminium
- Structure finish: Matte gold
- Diffuser material: Methacrylate
- Diffuser finish: Transparent
- Driver Brand: HEP
- Voltage / frequency: 220-240V/50-60Hz
- Dimming protocol: PHASE CUT
- Power Factor: 0.95
- THD%: 14.7
- Useful life: 50,000h L80B20
- Warranty: 5 years



Luminotechnic features

- TM30 RG: 90
- TM30 RF: 100
- Melanopic ratio: 0.509
- CRI: 92
- MacAdam steps: 3
- Photobiological risk: RG2
- UGR crosswise: 15.9
- UGR lengthwise: 29.7

Lampholder	Quantity	Light source power (W)	Correlated Colour Temperature (CCT)
LED	1	16.8W	2700K

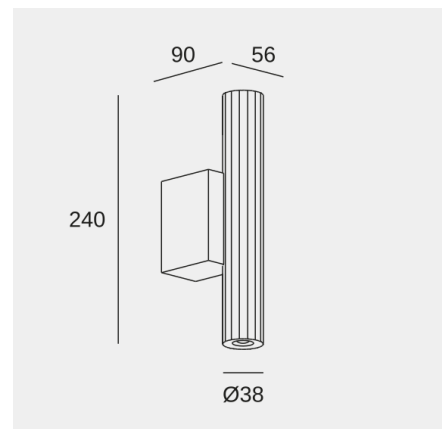


Image may not match reference. LedsC4 reserves the right to amend any of the product's components. The data related to flux, power and colour temperature may be subject to changes made by the manufacturer.

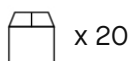


Prolix

Nahtrang Studio

Surface-mounted wall light Prolix LED 18.8W 2700K PHASE CUT Matte gold 358lm

Logistics



x 20

Net weight (kg): 0.61

Packaged weight (kg): 0.82

Packaging: 305mm x 115mm x 115mm

Light application



Image may not match reference. LedsC4 reserves the right to amend any of the product's components. The data related to flux, power and colour temperature may be subject to changes made by the manufacturer.