

Bloom

Nahtrang Studio

Bath IP44 Bloom LED 7.5 LED warm-white 2700K ON-OFF Black 262lm

Technical features

- Luminaire total power: 7.5W
- Real lumens: 262
- Real lm/W: 35
- Correlated Colour Temperature (CCT): LED warm-white 2700K
- UGR: <=19
- Structure material: Steel
- Structure finish: Black
- Diffuser material: Glass
- Diffuser finish: Opal white
- Driver Brand: HEP
- Voltage / frequency: 100-277VAC/50-60Hz
- Dimming protocol: ON-OFF
- Power Factor: 0.87
- THD%: 9.9
- Useful life: 50,000h L80B20
- Warranty: 5 years
- Easily recyclable luminaire



Luminotechnic features

- TM30 RG: 99
- TM30 RF: 92
- Melanopic ratio: 0.48
- CRI: 90
- MacAdam steps: 2
- Photobiological risk: RG1
- UGR crosswise: 18.9
- UGR lengthwise: 18.9

Lampholder	Quantity	Light source power (W)	Correlated Colour Temperature (CCT)
LED	1	6.3W	LED warm-white 2700K

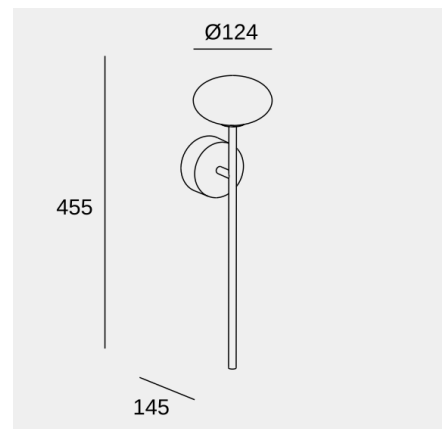


Image may not match reference. LedsC4 reserves the right to amend any of the product's components. The data related to flux, power and colour temperature may be subject to changes made by the manufacturer.

Bloom

Nahtrang Studio

Bath IP44 Bloom LED 7.5 LED warm-white 2700K ON-OFF Black 262lm

Logistics



Net weight (kg): 0.49

Packaged weight (kg): 1.24

Packaging: 415mm x 155mm x 140mm

Light application



Image may not match reference. LedsC4 reserves the right to amend any of the product's components. The data related to flux, power and colour temperature may be subject to changes made by the manufacturer.