



## Levels 1 Body Ø220mm

Nahtrang Studio

Ceiling fixture Levels 1 Body Ø220mm LED 28 SW 2700-3000-4000K PHASE CUT Black 2035lm

### Technical features

Luminaire total power: 28W  
 Real lumens: 2035 (3000K)  
 Real lm/W: 73  
 Correlated Colour Temperature (CCT): SW 2700-3000-4000K  
 Lens / reflector angle: HORIZONTAL 101°  
 Structure material: Steel  
 Structure finish: Black  
 Diffuser material: Glass  
 Diffuser finish: Amber  
 Voltage / frequency: 220-240V/50-60Hz  
 Dimming protocol: PHASE CUT  
 Power Factor: NULL  
 Useful life: 50,000h L80B20  
 Warranty: 5 years  
 Easily recyclable luminaire



### Luminotechnic features

CRI: 90  
 MacAdam steps: 3  
 Photobiological risk: RG1

Lampholder	Quantity	Light source power (W)
LED	1	24.4W

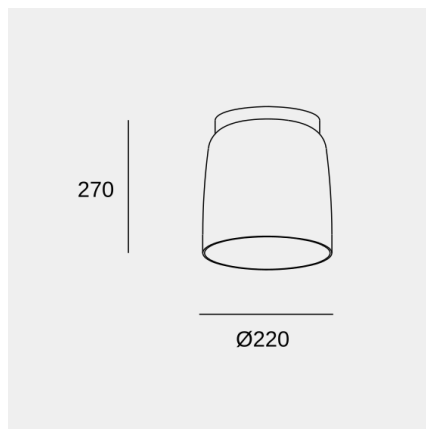


Image may not match reference. LedsC4 reserves the right to amend any of the product's components. The data related to flux, power and colour temperature may be subject to changes made by the manufacturer.

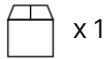


## Levels 1 Body Ø220mm

Nahtrang Studio

Ceiling fixture Levels 1 Body Ø220mm LED 28 SW 2700-3000-4000K PHASE CUT Black 2035lm

### Logistics



x 1

Net weight (kg): 2.3

Packaged weight (kg): 3.06

Packaging: 325mm x 330mm x  
455mm

Image may not match reference. LedsC4 reserves the right to amend any of the product's components. The data related to flux, power and colour temperature may be subject to changes made by the manufacturer.