

# FLOS

■ F6380030 Black

## Snoopy

Designed by Achille and Pier Giacomo Castiglioni, 1967



Halogen - 150W

Table lamp giving direct light with enamelled metal reflector and white Carrara's marble base. It was designed by Achille e Pier Giacomo Castiglioni in 1967.

Are you a professional and your project needs consulting and support?

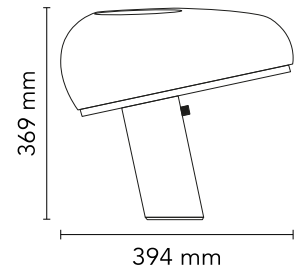
[BOOK AN APPOINTMENT](#)

### Main specifications

EAN	8059607006375
Mounting	Table
Environments	Indoor dry location
Light Source Type	Bulb
Lamp category	Halogen
Lamp holders	E27
Ilcos	HSGS
Number of heads	1
Power (W)	150

### Physical

Colour	Black
Net weight (kg)	7.99
Package height (cm)	465
Package width (cm)	470
Package length (cm)	385
Package volume (m3)	0.1
IP internal	20



### Download

[Mounting instructions](#) PDF

[Spare Parts](#) PDF

### Photometric Files

[LDT / IES](#) LDT

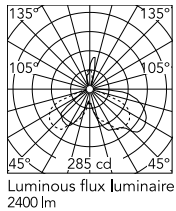
### Technical Drawings

[2D](#) ZIP

[3D](#) ZIP



## Schematic light drawing



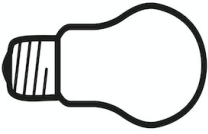
### Photometric

Lighting type	Indirect, Direct
Light distribution	Asymmetric

### Electrical

Insulation class	II
Frequency (Hz)	50/60
Main voltage (Vac)	220-240
LED voltage Vf (Vdc)	null
Dimmable	Yes
Dimming interface	Dimmer Integrated
Plug type	Type C
Batteries inside	No
Charging min time	No

## Bulbs



NOT INCLUDED

RF25317

LED Opal Lamp E27 8W 3000K  
A60 Dimmable

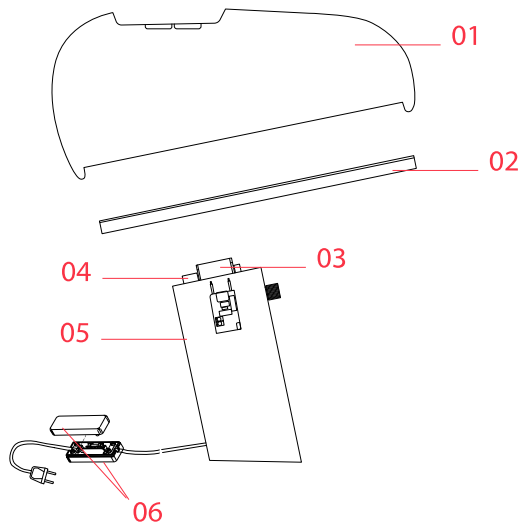


NOT INCLUDED

RF25323

LED Opal Lamp E27 8W 2700K  
A60 Dimmable

## Spare Parts



01.	Black reflector	RF80966
02.	Snoopy glass diffuser	RF84656
03.	E27 lamp holder	RF11912
04.	Ring nut	RF11919
05.	Electronic touch dimmer	RF26254
06.	Electrical assembly with fuse box	RF12478

**DOWNLOAD**



RF80966  
Black reflector



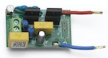
RF84656  
Snoopy glass diffuser



RF11912  
E27 lamp holder



RF11919  
Ring nut



RF26254  
Electronic touch dimmer



RF12478  
Electrical assembly with fuse box