

TYPE

Guillaume Bloget

Type represents a sophisticated and technical object that brings the most advanced research in optics and dimming control into the domestic environment. Designed for spot lighting, a simple hand gesture can orient the light, vary the intensity and adjust the beam angle. A magnetic spherical joint swivels the spot, providing significant adjustments.



2700K

LAMPING

| | |
|-------------------|--|
| Source | LED board |
| Total power | 8W |
| Emission | spot light, orientable 360° |
| Switching | dim and zoom on board |
| Tension | 110-240V |
| Color temperature | 2700K |
| Luminous flux | 466lm* |
| Typ CRI | 90 |
| IP class | 20 |
| Dimensions | ø26x140 |
| Materials | aluminum + steel for base |
| Notes | cable length 2m. 360° magnetic rotation. 15-60° optic, nominal flux* |

Codes

TYP LNN 21
TYP LSN 21

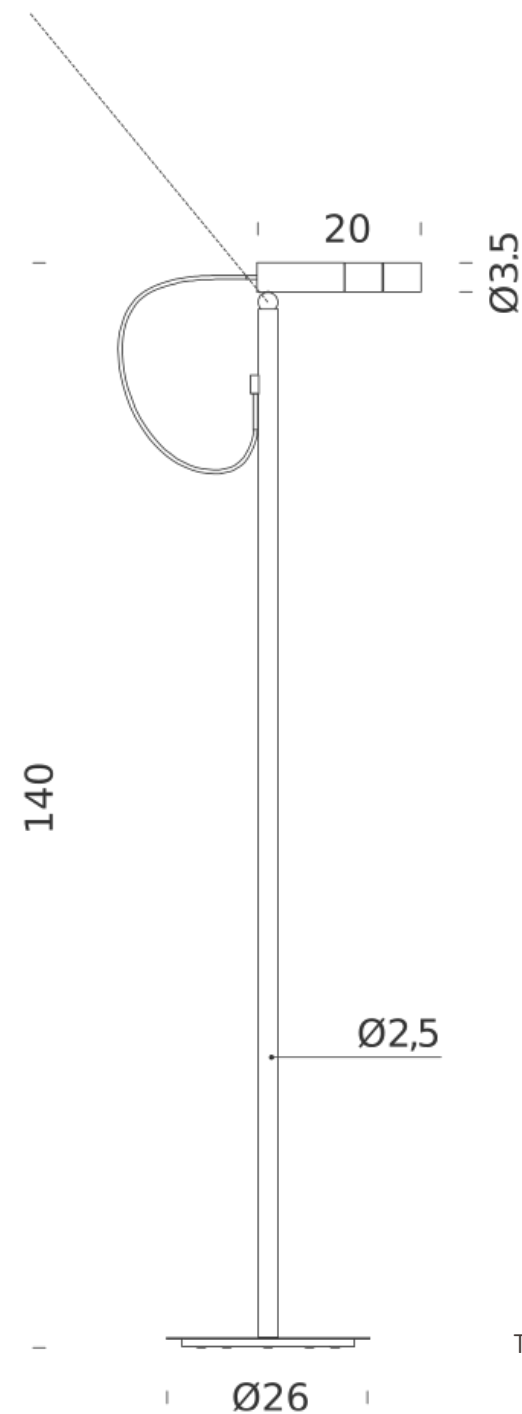
Structure

black
aluminum satin

Certificazioni



360° magnetization



3000K

LAMPING

| | |
|-------------------|--|
| Source | LED board |
| Total power | 8W |
| Emission | spot light, orientable 360° |
| Switching | dim and zoom on board |
| Tension | 110-240V |
| Color temperature | 3000K |
| Luminous flux | 466lm* |
| Typ CRI | 90 |
| IP class | 20 |
| Dimensions | ø26x140 |
| Materials | aluminum + steel for base |
| Notes | cable length 2m. 360° magnetic rotation. 15-60° optic, nominal flux* |

Codes

TYP LNN 22

TYP LSN 22

Certificazioni



Structure

black

aluminum satin

360° magnet rotation

