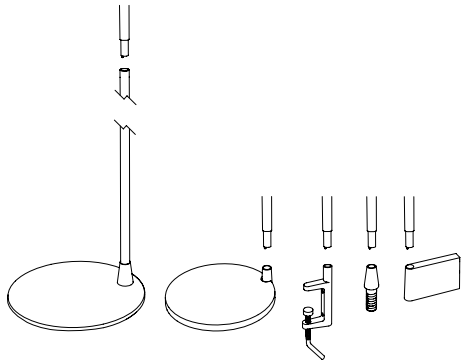
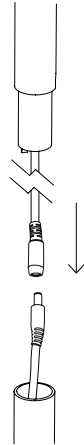


# w182 Pastille Instructions

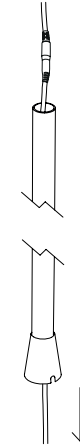
1.



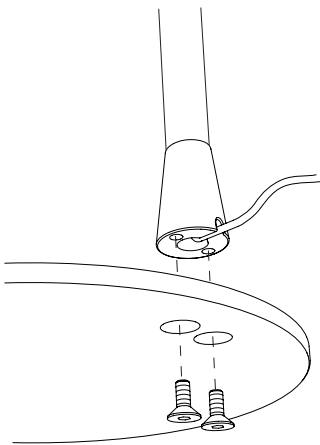
2.



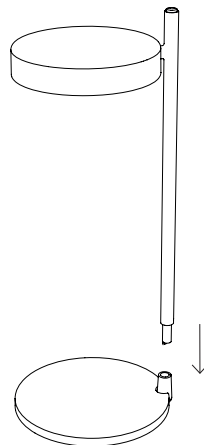
3.



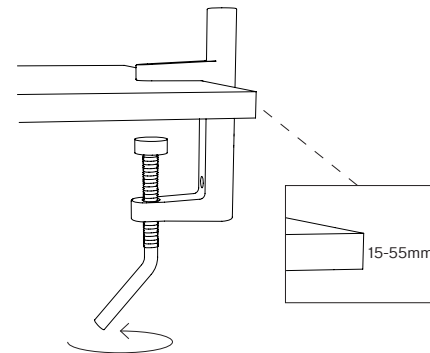
4.



5.



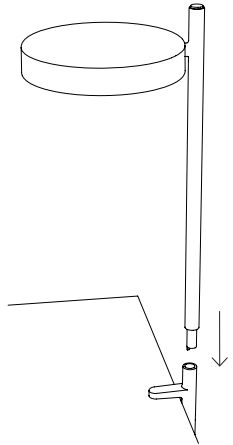
6.



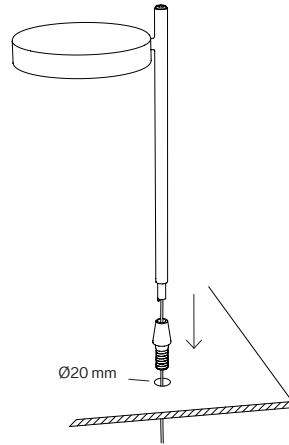
## Mounting instructions

1. There are five different mounting accessories to attach the lamp to.
2. **Floor**  
Connect the lamp contact to the extension cord.
3. Pull the cords through the pole.
4. Mount the base with the screws.
5. **Table**  
Attach the lamp to the base.
6. **Clamp**  
Secure the clamp by turning the screw.

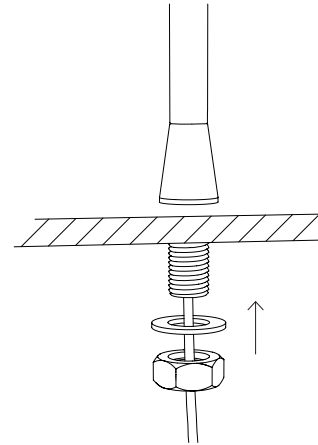
7.



8.



9.



## Mounting instructions

7.

Attach the lamp to the clamp.

**8. Pin**

Pull the cord through the pin. Place the pin in the hole,  $\varnothing 20$  mm hole size.

9.

Secure with washer & nut under table.

**10. Wall bracket**

Attach the lamp to the wall bracket.

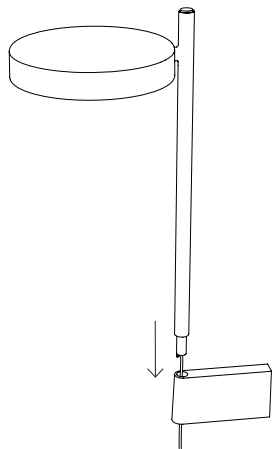
**11a.**

Mount the bracket to the wall. (Screws are not included).

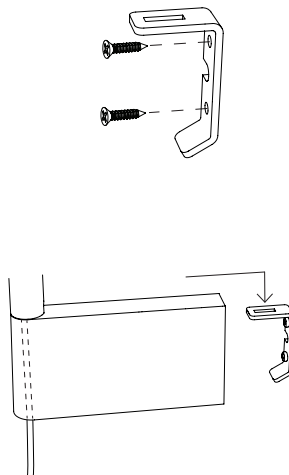
**11b.**

For connection behind the wall, pull the cord through the bracket.

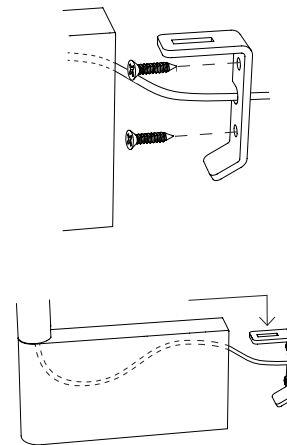
10.



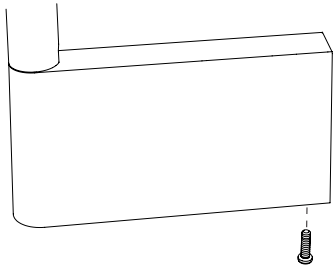
11a.



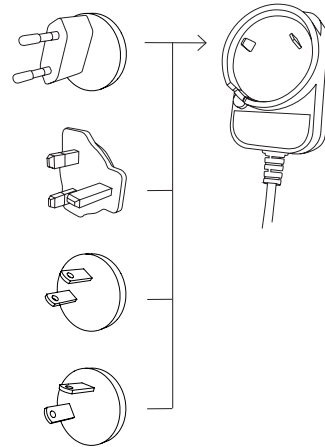
11b.



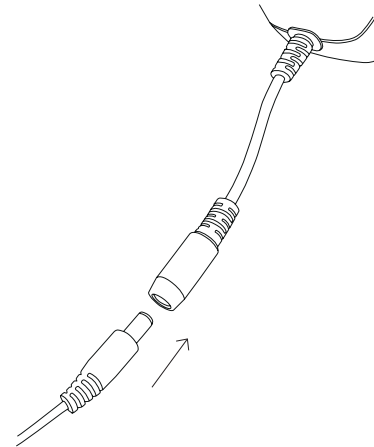
12.



13.



14.



## Mounting instructions

12.

Fasten with the screw.

13.

Attach the plug to the adapter.

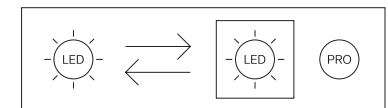
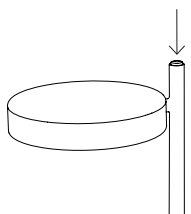
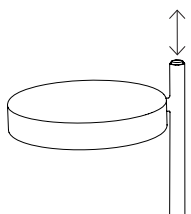
14.

Connect the power cord to the adapter.

15.

Press the button to turn the light on and off.  
Press and hold to dim the light.

15.



This product contains a light source of energy efficiency class G.  
To replace the light source, contact customer service at [service@wastberg.com](mailto:service@wastberg.com)