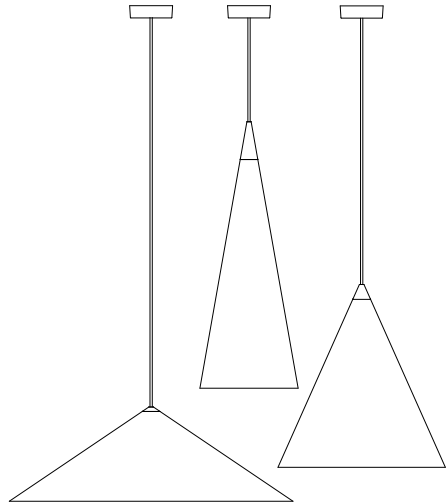
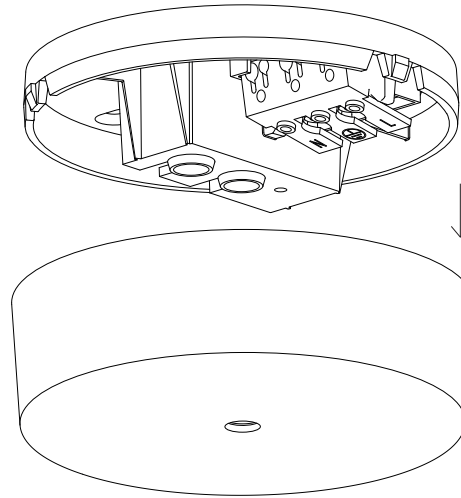


w221 Medium pendant Instructions



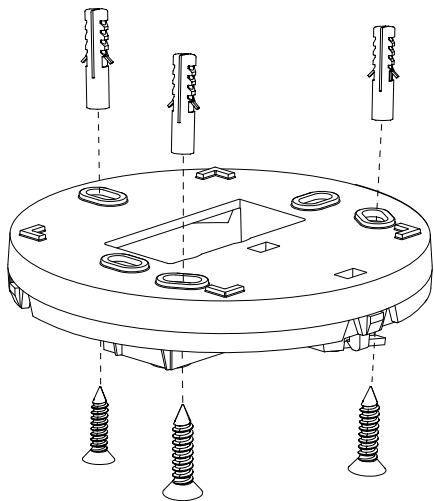
1.



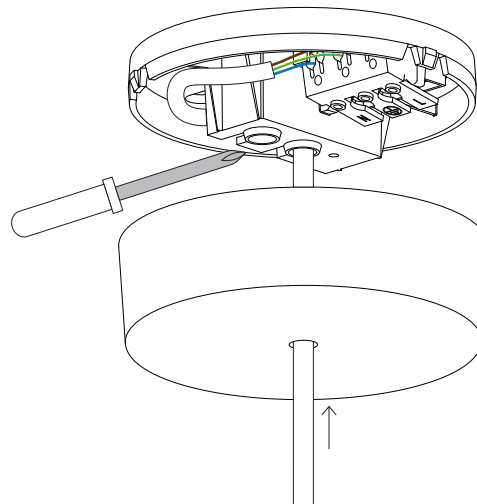
Mounting instructions

1. Take the ceiling rose and remove the cover from the ceiling base by squeezing and pulling it apart.
2. Mount the base to the ceiling.
(fastening elements are not included)
3. Insert the cable through the cover into the strain relief and cut the cable to your required length.
Tighten the strain relief.

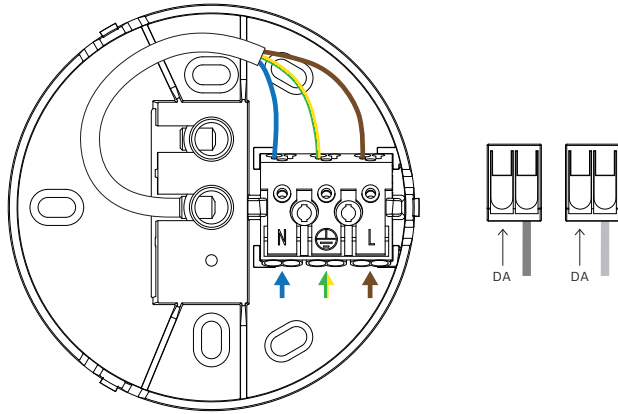
2.



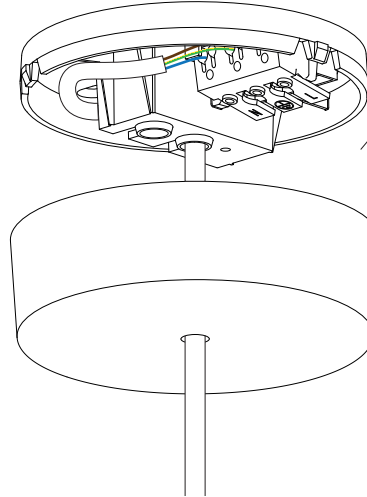
3.



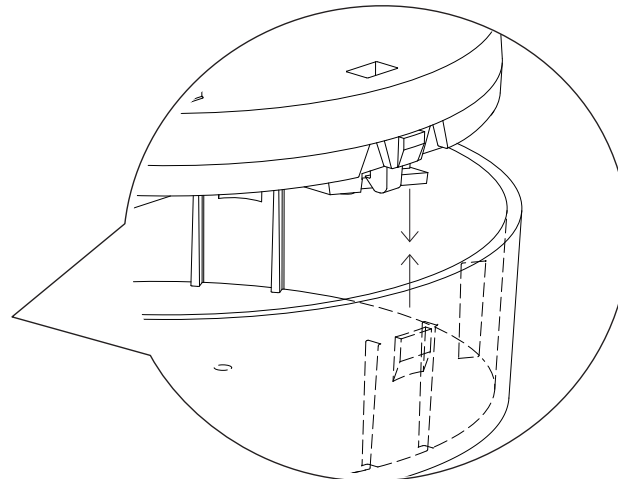
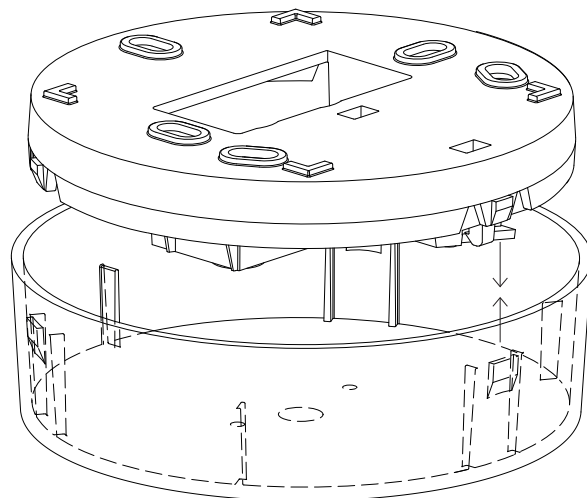
4.



5.

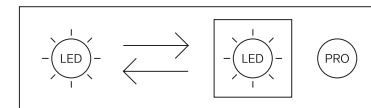
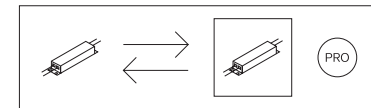


6.



Mounting instructions

4. Dismantle the inner wires and connect them to the clamp.
5. Mount the cover back to the ceiling base by clipping it in.
6. Make sure the clips are aligned with the intended cutouts. There are three clips around the cover.



This product contains a light source of energy efficiency class E.
To replace the light source, contact customer service at service@wastberg.com