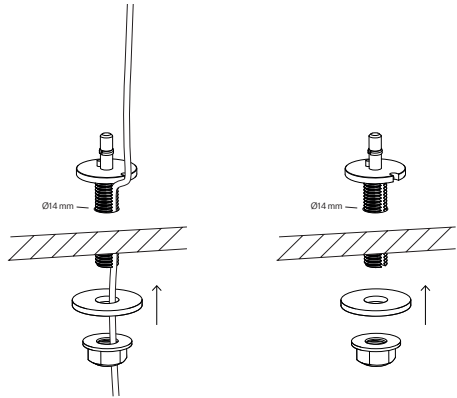
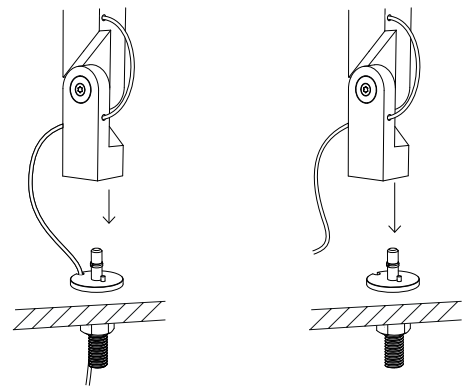


# w227 Winkel alu Instructions

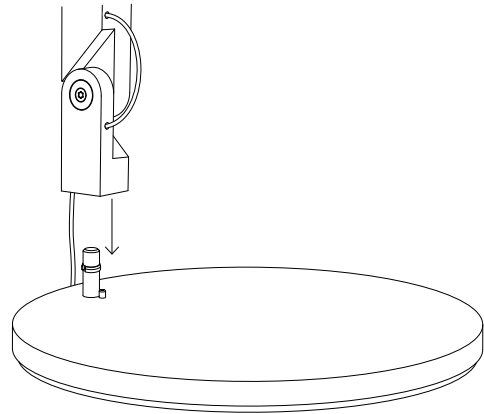
1.  
a) b)



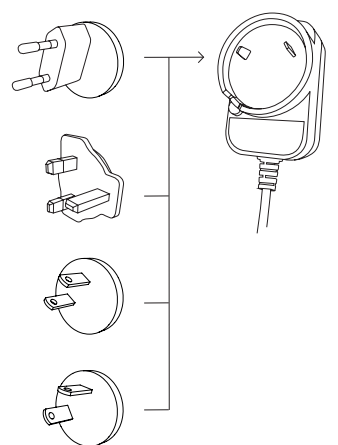
2.  
a) b)



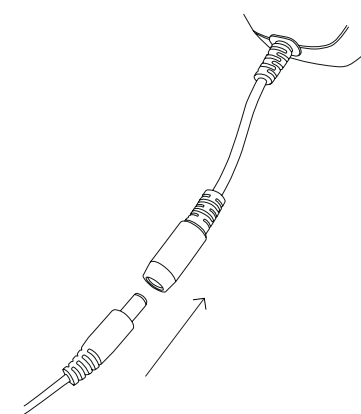
3.



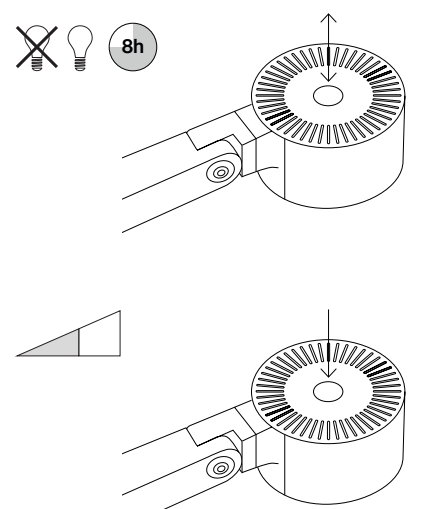
4.



5.



6.



## Mounting instructions

### 1. Pin

a) Cord through the table top: Place the cord in the slot inside the pin. Place the pin through a Ø14mm hole with one disc above and one under the table. Secure with washer and nut under the table.

b) Cord above the table top: Place the pin through a Ø14mm hole. Secure it with the washer and nut under the table.

### 2.

Attach the lamp.

### 3. Base

Attach the lamp to the base.

### 6.

Connect the power cables.

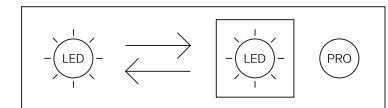
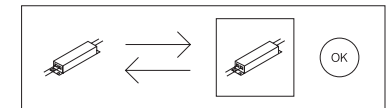
### 5.

Connect the power cables.

### 6.

Press to turn the light on and off. The lamp has an 8 hours timer.

Press and hold to dim the light.



This product contains a light source of energy efficiency class F.

To replace the light source, contact customer service at [service@wastberg.com](mailto:service@wastberg.com)