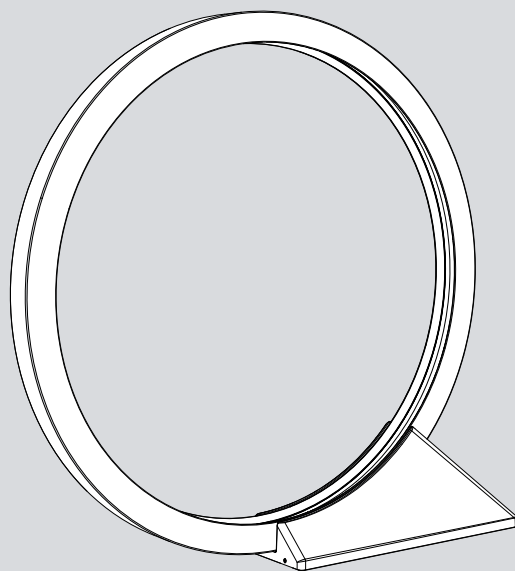


Artemide®

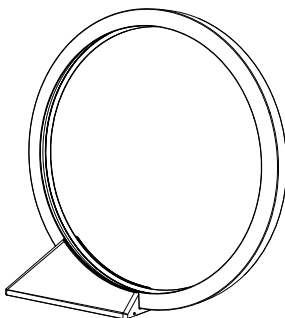
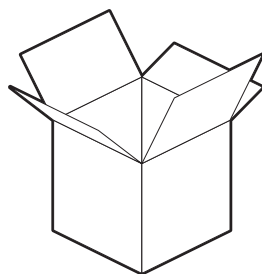
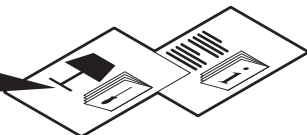
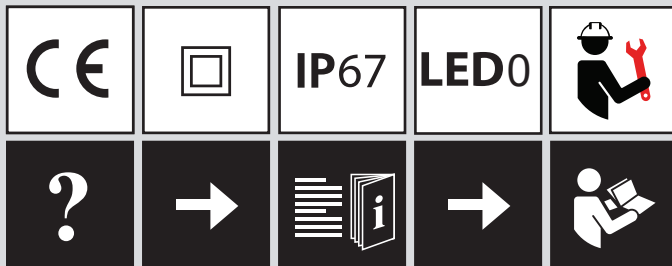
“O” 45

design
Elemental

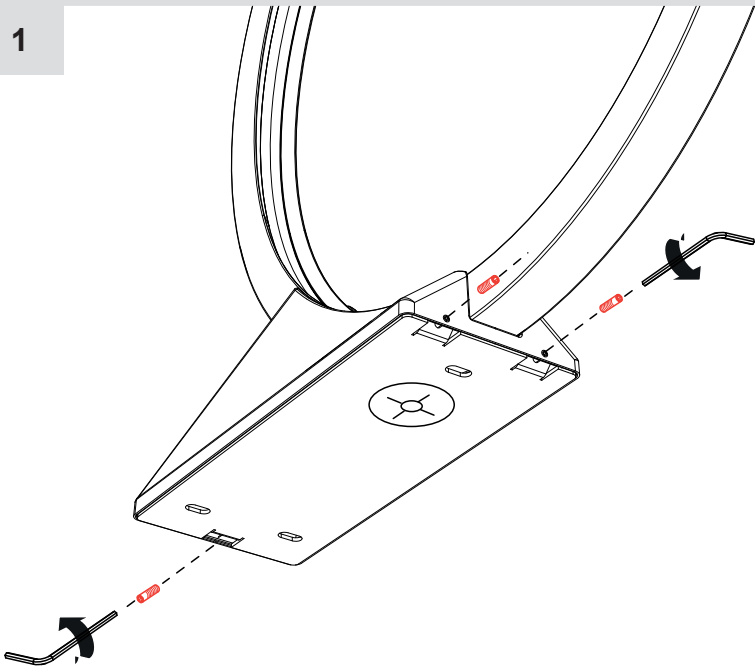




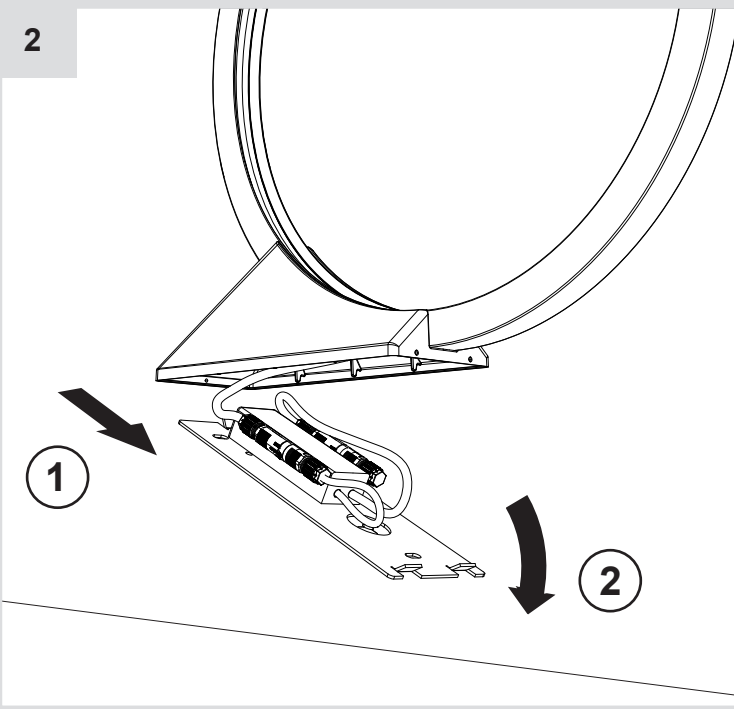
i

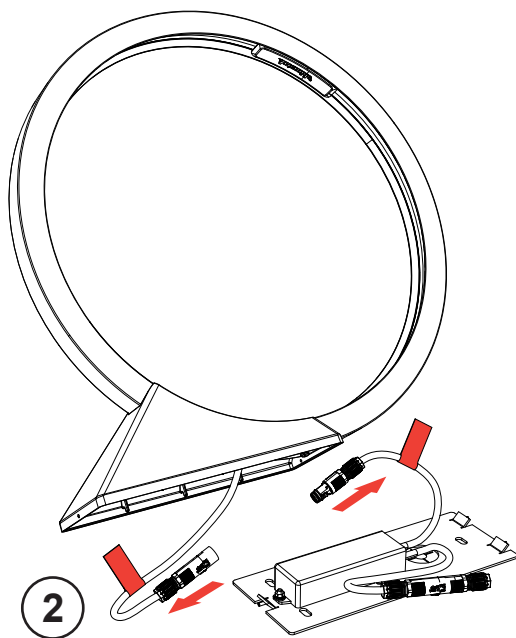
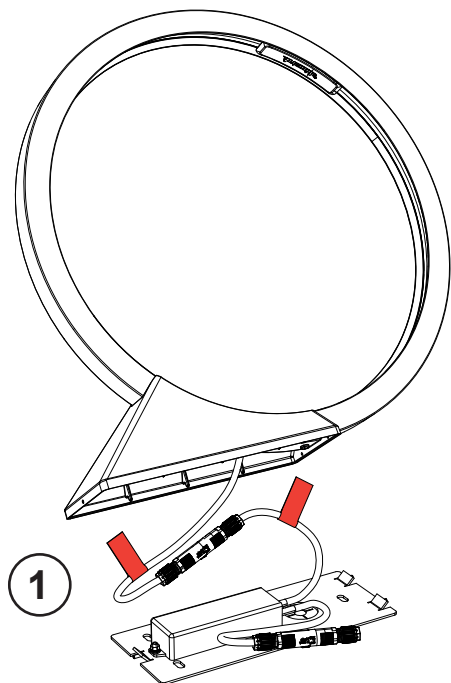


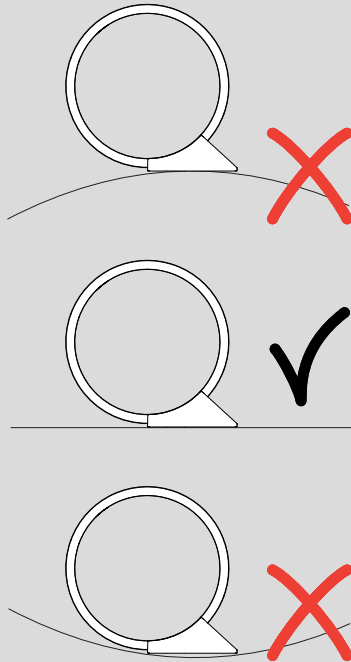
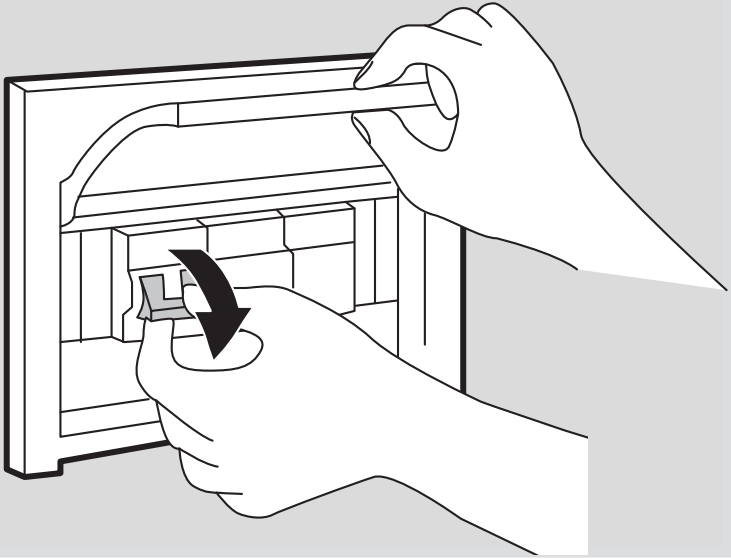
1



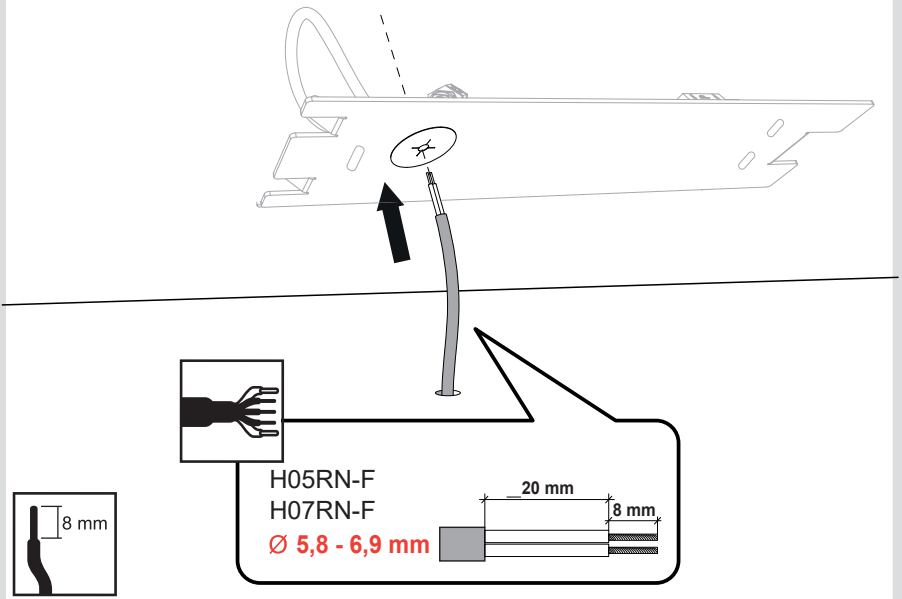
2



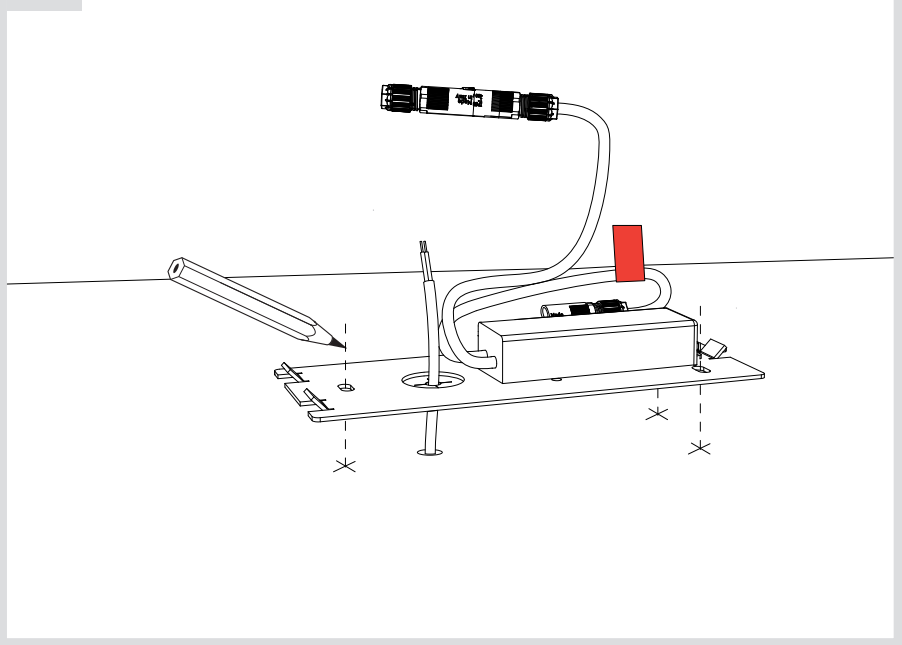




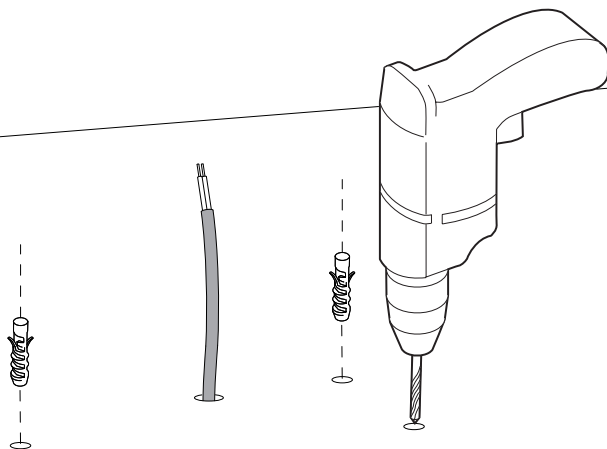
4



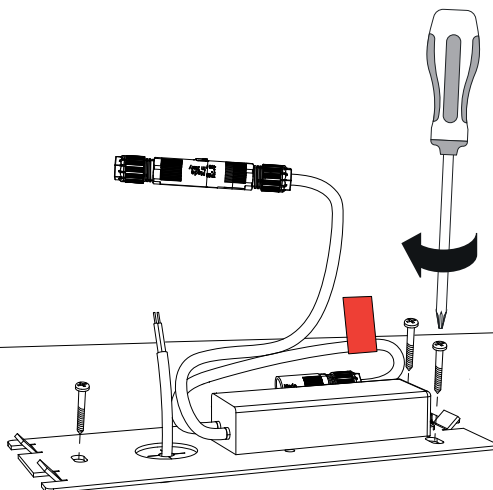
5



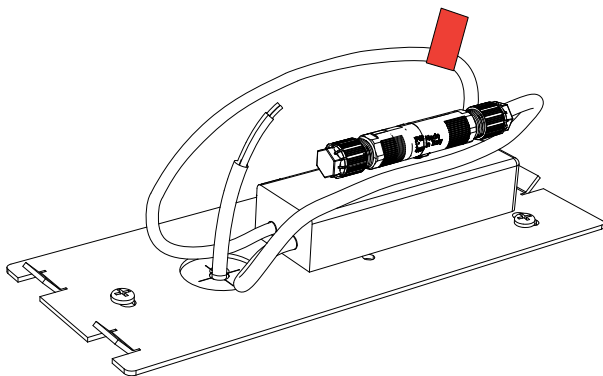
6



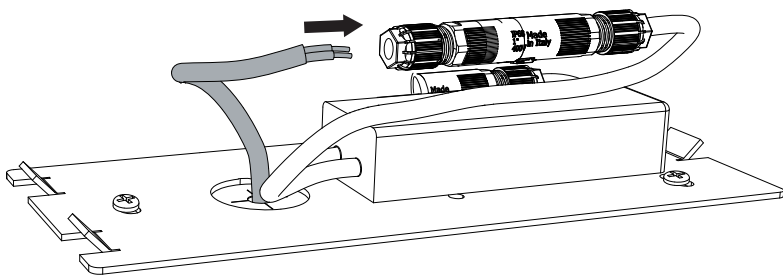
7

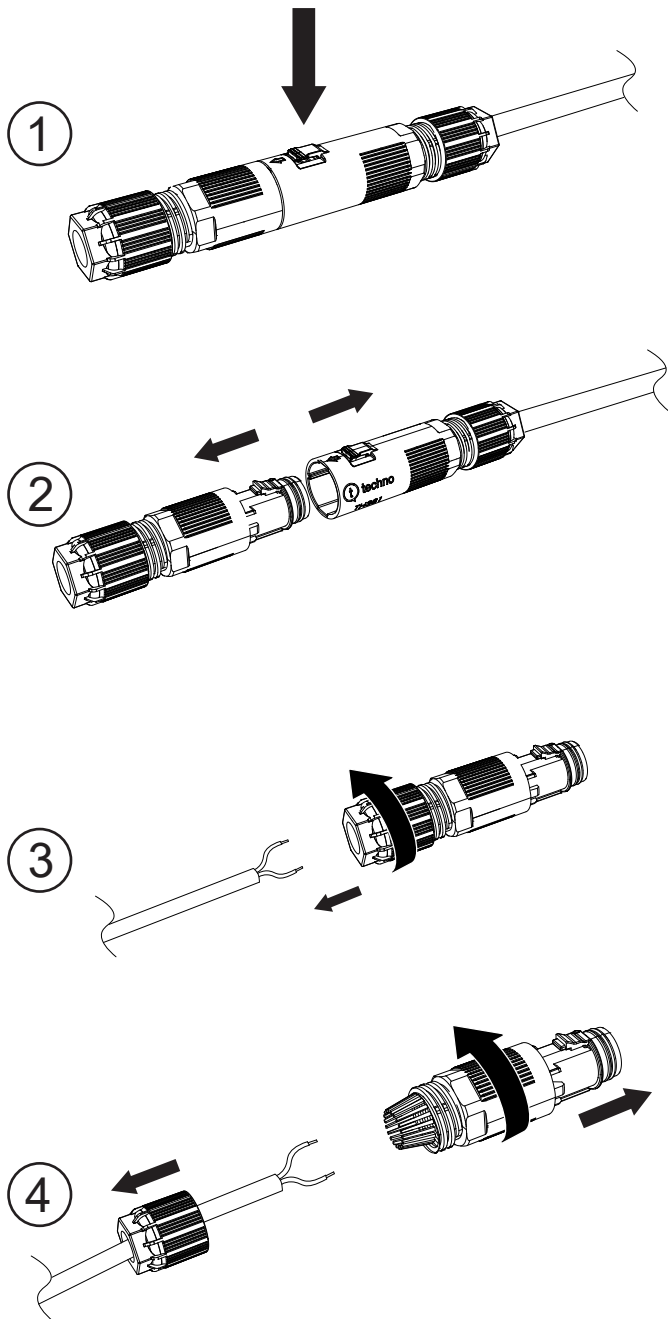


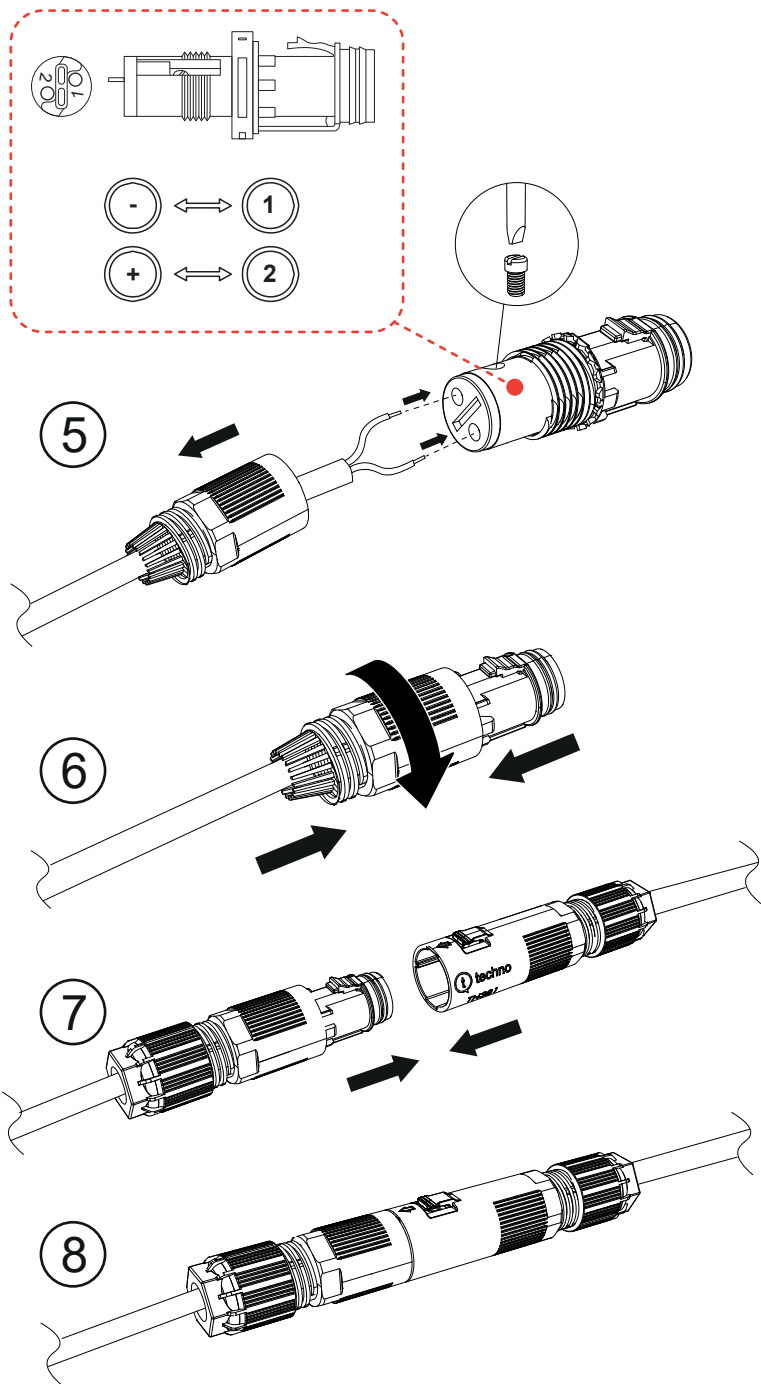
8

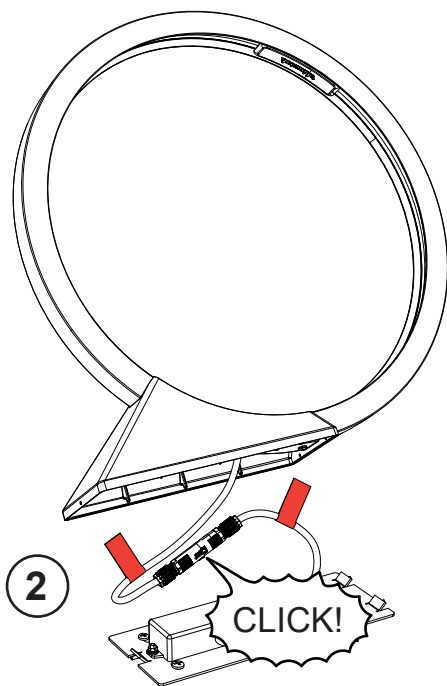
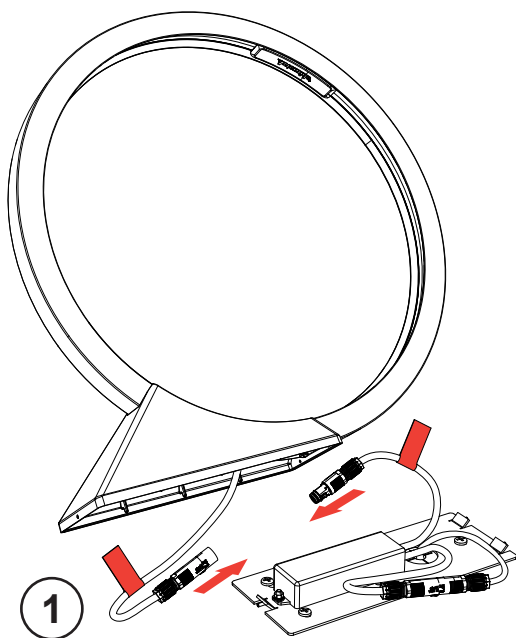


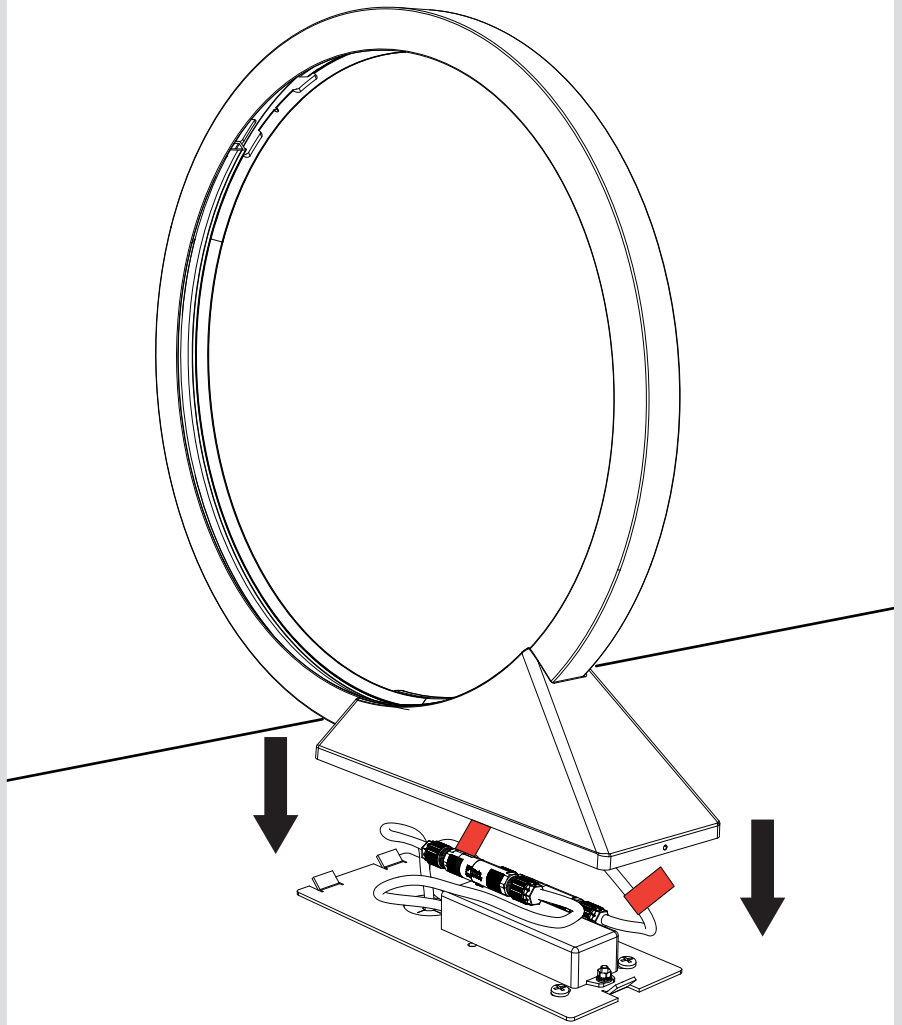
9

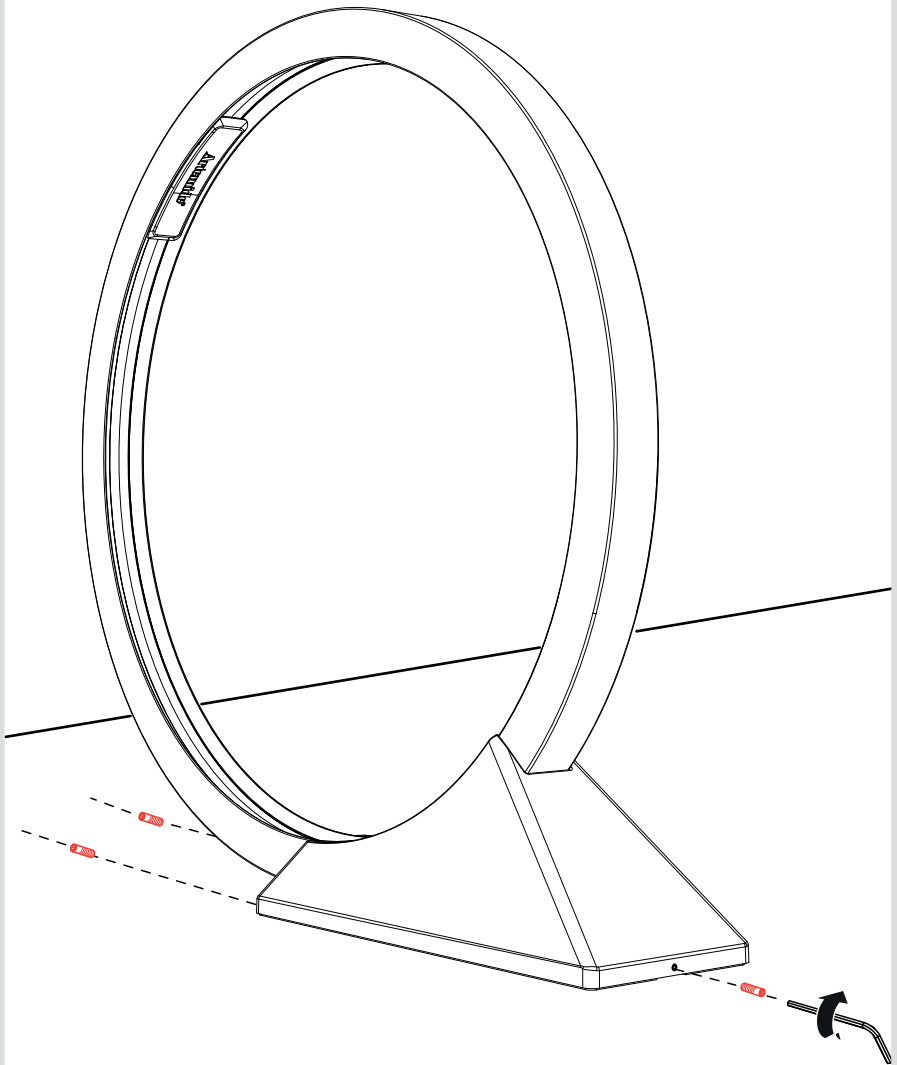


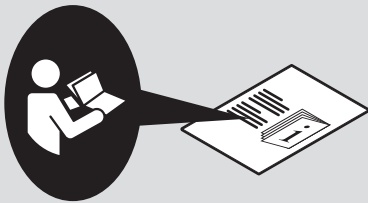
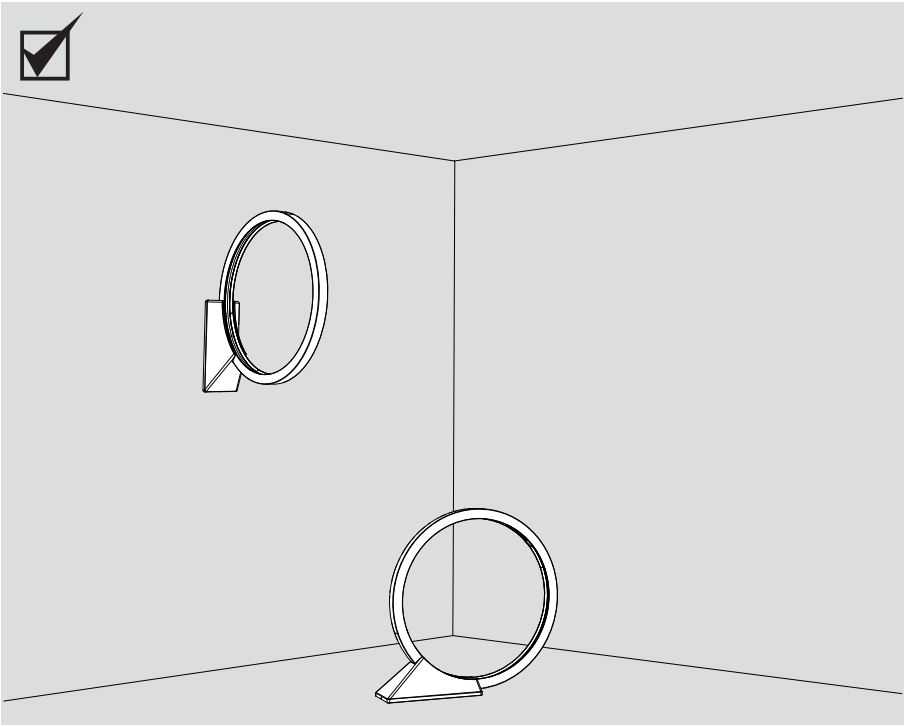












Artemide®



Artemide

via Bergamo, 18
20006 Pregnana M.se (MI)
ITALIA

tel. +39 02 935 181
fax +39 02 935 90 254
fax +39 02 935 90 496

www.artemide.com

VAT IT00846890150

cod. Y513001291B